



Augat

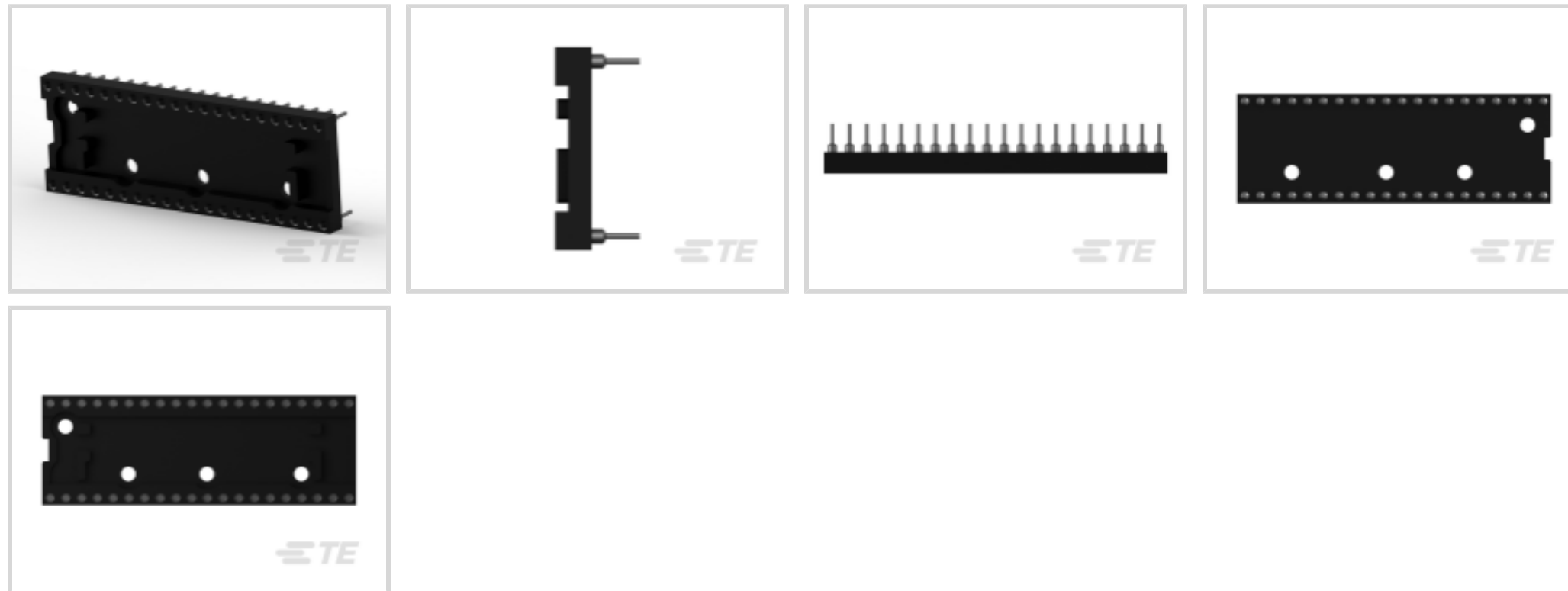
TE Internal #: 3-1571550-2

TE Internal Description: 540-AG11D-LF=500 DIP,PCB,AU/SN

DIP Socket: Standard, Screw Machine, Closed, Gold

[View on TE.com >](#)

Connectors > Socket Connectors > IC Sockets > DIP Sockets > DIP Socket: Standard, Screw Machine, Closed, Gold



Contact Fabrication: **Screw Machine**

Number of Positions: **40**

Connector Profile: **Standard**

Row-to-Row Spacing: **15.24 mm [.6 in]**

Leg Style: **Straight**

[All DIP Socket: Standard, Screw Machine, Closed, Gold \(0\)](#)

Features

Product Type Features

Leg Style	Straight
Connector & Contact Terminates To	Printed Circuit Board

Configuration Features

Number of Rows	2
PCB Mount Orientation	Vertical
Number of Positions	40

Electrical Characteristics

Insulation Resistance	5000 MΩ
Contact Resistance	10 mΩ

Body Features

Sleeve Material	Brass/Copper
Sleeve Plating Material	Tin
Frame Style	Closed

Connector Profile	Standard
-------------------	----------

Contact Features

Mating Contact Type	Four-Fingered
---------------------	---------------

IC Socket Type	DIP
----------------	-----

Contact Type	Pin
--------------	-----

PCB Contact Termination Area Plating Material	Tin
---	-----

Contact Base Material	Beryllium Copper
-----------------------	------------------

Contact Fabrication	Screw Machine
---------------------	---------------

Contact Mating Area Plating Material	Gold
--------------------------------------	------

	25 μ m
--	------------

Contact Current Rating (Max)	3 A
------------------------------	-----

Termination Features

Termination Post & Tail Length	3.18 mm[.125 in]
--------------------------------	------------------

Termination Method to Printed Circuit Board	Through Hole - Solder
---	-----------------------

Mechanical Attachment

Mating Alignment Type	Polarization
-----------------------	--------------

Mating Alignment	With
------------------	------

Connector Mounting Type	Board Mount
-------------------------	-------------

Housing Features

Housing Material	Thermoplastic
------------------	---------------

Housing Color	Black
---------------	-------

Centerline (Pitch)	2.54 mm[.1 in]
--------------------	----------------

Dimensions

Profile Height from PCB	3.43 mm[.135 in]
-------------------------	------------------

Product Length	50.8 mm[2 in]
----------------	---------------

Row-to-Row Spacing	15.24 mm[.6 in]
--------------------	-----------------

Usage Conditions

Operating Temperature Range	-55 – 105 °C[-67 – 221 °F]
-----------------------------	----------------------------

Operation/Application

Circuit Application	Signal
---------------------	--------

Industry Standards

UL Flammability Rating	UL 94V-0
------------------------	----------

Packaging Features

Tubes per Box	100
Packaging Quantity	17
Packaging Method	Box & Tube, Tube

Other

Quantity per Tube	12
-------------------	----

Product Compliance

[For compliance documentation, visit the product page on TE.com>](#)

EU RoHS Directive 2011/65/EU	Compliant with Exemptions
EU ELV Directive 2000/53/EC	Compliant with Exemptions
China RoHS 2 Directive MIIT Order No 32, 2016	Restricted Materials Above Threshold
EU REACH Regulation (EC) No. 1907/2006	Current ECHA Candidate List: JUNE 2022 (224) Candidate List Declared Against: JAN 2021 (211) SVHC > Threshold: Pb (.6% in Component Part) Article Safe Usage Statements: Do not eat, drink or smoke when using this product. Wash thoroughly after handling. Recycle if possible and dispose of the article by following all applicable governmental regulations relevant to your geographic location.
Halogen Content	Not Low Halogen - contains Br or Cl > 900 ppm.
Solder Process Capability	Wave solder capable to 265°C

Product Compliance Disclaimer

This information is provided based on reasonable inquiry of our suppliers and represents our current actual knowledge based on the information they provided. This information is subject to change. The part numbers that TE has identified as EU RoHS compliant have a maximum concentration of 0.1% by weight in homogenous materials for lead, hexavalent chromium, mercury, PBB, PBDE, DBP, BBP, DEHP, DIBP, and 0.01% for cadmium, or qualify for an exemption to these limits as defined in the Annexes of Directive 2011/65/EU (RoHS2). Finished electrical and electronic equipment products will be CE marked as required by Directive 2011/65/EU. Components may not be CE marked. Additionally, the part numbers that TE has identified as EU ELV compliant have a maximum concentration of 0.1% by weight in homogenous materials for lead, hexavalent chromium, and mercury, and 0.01% for cadmium, or qualify for an exemption to these limits as defined in the Annexes of Directive 2000/53/EC (ELV). Regarding the REACH Regulation, the information TE provides on SVHC in articles for this part number is based on the latest European Chemicals Agency (ECHA) 'Guidance on requirements for substances in articles' posted at this URL: <https://echa.europa.eu/guidance-documents/guidance-on-reach>

Documents

Product Drawings

[540-AG11D-LF=500 DIP,PCB,AU/SN](#)

English



CAD Files

3D PDF

3D

Customer View Model

[ENG_CVM_CVM_3-1571550-2_A.2d_dxf.zip](#)

English

Customer View Model

[ENG_CVM_CVM_3-1571550-2_A.3d_igs.zip](#)

English

Customer View Model

[ENG_CVM_CVM_3-1571550-2_A.3d_stp.zip](#)

English

By downloading the CAD file I accept and agree to the [Terms and Conditions](#) of use.

Datasheets & Catalog Pages

[DIP Sockets Quick Reference Guide \(EN\)](#)

English